

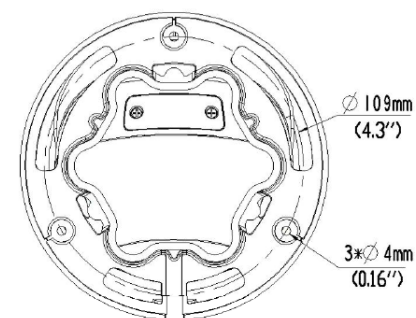
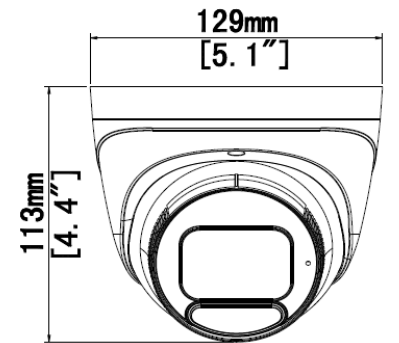
Overview

- 2 Megapixel IR
- True WDR 120dB
- 2.8 - 12mm Varifocal Lens
- H.265, H.264, MJPEG
- Support 9:16 Corridor Mode
- IP67
- Built-in Mic
- NDAA Compliant
- ONVIF Profile G, S, T









Technical Specifications

Device	
Image Sensor:	1/2.7", 2.0-megapixel, progressive scan, CMOS
Min Illumination:	Colour: 0.005Lux (F1.6, AGC ON) 0Lux with IR
Shutter Time:	Auto/Manual, 1 ~ 1/100000s
Lens:	2.8 ~ 12mm, AF automatic focusing and motorized zoom lens
WDR:	120dB
SNR:	>52dB
Angle of View:	H: 108.05°~ 32.59°, V: 56.81°~ 18.36°, O: 111.91°~36.53°
Angle Adjustment:	Pan: 0° ~ 360° Tilt: 0° ~ 75° Rotate: 0° ~ 360°
3-Axis Adjustment:	Yes
Day & Night:	IR-Cut Filter with Auto Switch (ICR)
IR Range:	Up to 40m (131ft) IR range
Compression Standard	
Video Compression:	H.265, H.264, MJPEG
Video Bit Rate:	128 Kbps ~ 6 Mbps
Two Stream:	Yes
Analytics:	Cross line, intrusion (based on human body detection) motion detection, tampering alarm, audio detection
Image	
Max. Image Resolution:	1920 x 1080
Frame Rate:	30fps (1920 x 1080)
ROI Codec:	Up to 8 areas
Image Setting:	White Balance, Digital Noise Reduction, Smart IR, Flip, HLC, BLC, Defog



Technical Specifications

Network					
Protocols:	IPv4, IGMP, ICMP, ARP, TCP, UDP, DHCP, RTP, RTSP, RTCP, RTMP, DNS, DDNS, NTP, FTP, UPnP, HTTP, HTTPS, SMTP, SSL/TLS, QoS, SNMP				
Interface					
Communication Interface:	10M/100M Base-TX Ethernet				
Edge Storage:	Micro SD, up to 128GB				
Audio Compression:	G.711				
DORI					
DORI Distance:	Lens (mm)	Detect (m)	Observe (m)	Recognize (m)	Identify (m)
	2.8	42.0	16.8	8.4	4.2
	12	180.0	72.0	36.0	18.0
General					
Safety:	CE: EN 62368-1 UL: UL 62368-1				
EMC:	FCC: FCC Part 15 CE-EMC: EN 55032/ EN 55035/ EN IEC 61000-3-2/ EN 61000-3-3				
Operating Conditions:	Temperature: -30°C~60°C (-22°F~140°F), Humidity: ≤95%RH (Non-Condensing)				
Power Consumption:	Max 8.0 W				
Power Supply:	DC 12V±25%, PoE (IEEE 802.3af)				
Weatherproof Rating:	IP67				
Dimensions:	Φ129 x 113mm (Φ5.1" x 4.4")				
Net Weight:	0.66kg (1.46lb)				
Material:	Metal				
Software:	No license required for use with Video Insight Software				
Optional Accessories	<div style="display: flex; flex-wrap: wrap; justify-content: space-around; align-items: center;"> <div style="text-align: center; margin: 5px;"> <p>M-JB-T</p>  </div> <div style="text-align: center; margin: 5px;"> <p>M-WM-T</p>  </div> <div style="text-align: center; margin: 5px;"> <p>M-NPT34</p>  </div> <div style="text-align: center; margin: 5px;"> <p>M-PM</p>  </div> <div style="text-align: center; margin: 5px;"> <p>M-Pendant</p>  </div> <div style="text-align: center; margin: 5px;"> <p>M-Pendant-Ex</p>  </div> </div>				